

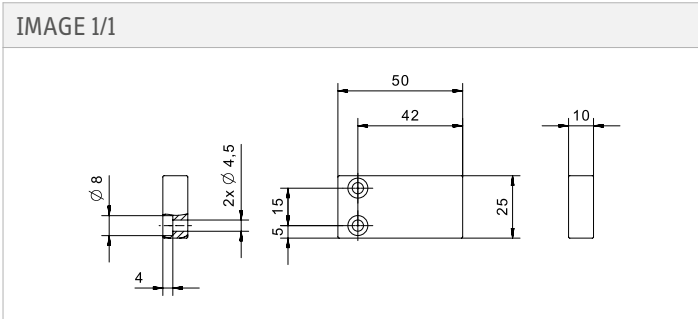
Actuator 304275.2

The 304275.2 actuator is for use with the 114 safety sensors. The actuator can be fastened in guard door profiles thanks to the flat housing.

Product characteristics

- Compact, space-saving design

Technical drawing



Product options

IMAGE 1/1

ORDERING KEY

304 275 2		
	0	Bottom actuation
	3	Front actuation

Properties

Attribute	30427502	30427532
Coding acc. to EN ISO 14119	Low	
Suitable for sensor type(s)	114	

Mechanical data

Attribute	30427502	30427532
Dimensions	50x25x10	

Material information

Attribute	30427502	30427532
Housing material	PBT	
Housing colour	schwarz	

Installation

Attribute	30427502	30427532
Mounting type	screwed	